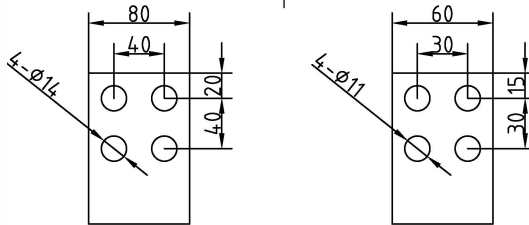
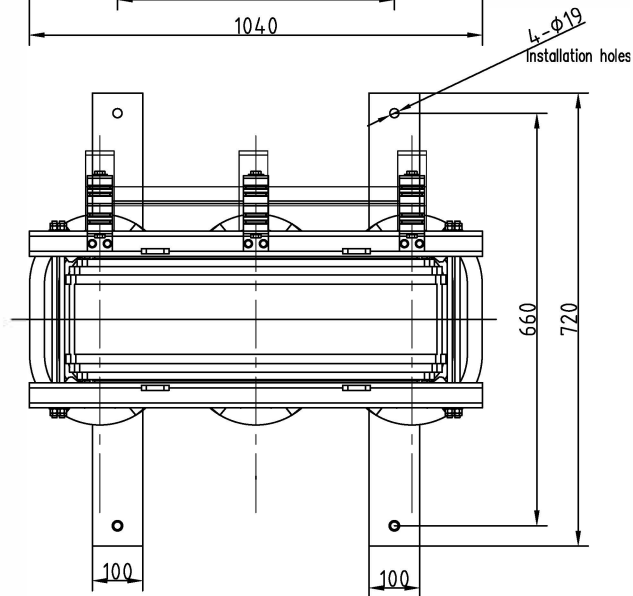


notes:

- 1, installation: M16 expansion bolt directly fixed to the ground
- 2, concrete ground pouring thickness $\geq 100\text{mm}$

CLIENT			
MANUFACTURER			
DWG NO:			
TITLE	SCB-500/0.48/0.415(Dyn11; Uk=4%) cast coil dry-type power transformer drawings		
DRAWN	CHECKED	APPROVED	DATE
zhaolinlei	chengyang	liuzheng	
SCALE	SIZE	REV	SHEET
/	A3	A	2 of 2

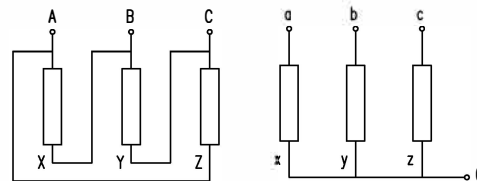


LV Terminals

HV Terminals

HV-Connection Diagram(D)

LV-Connection Diagram(yn)



C			
B			
A			
REV.	DATE	DESCRIPTION	APPROVED