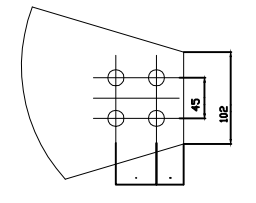


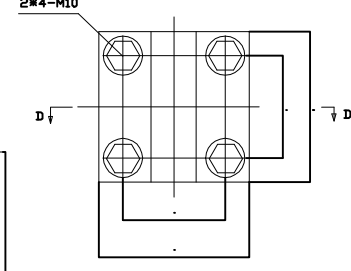
Technical requirements
 1. Weight
 Weight with gas: 3800kg
 Total weight of gas: 35kg
 2. Load of foundation
 Dynamic:
 Horizontal direction: 1500kg
 Vertical direction (upward): 1500kg
 3. The surface into the wind: 3500m²/每个套管

View A
1:10

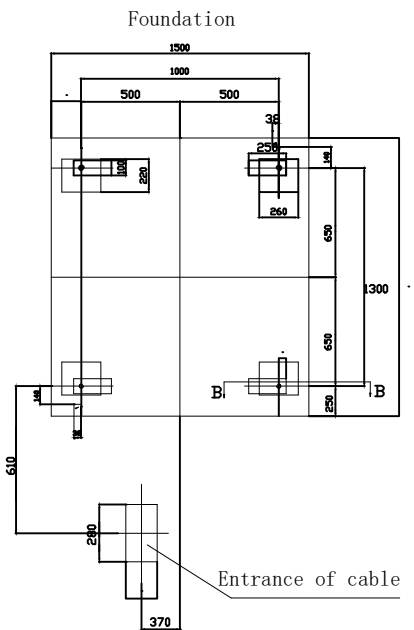
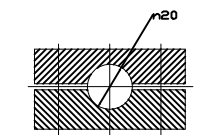


Terminal material: aluminum

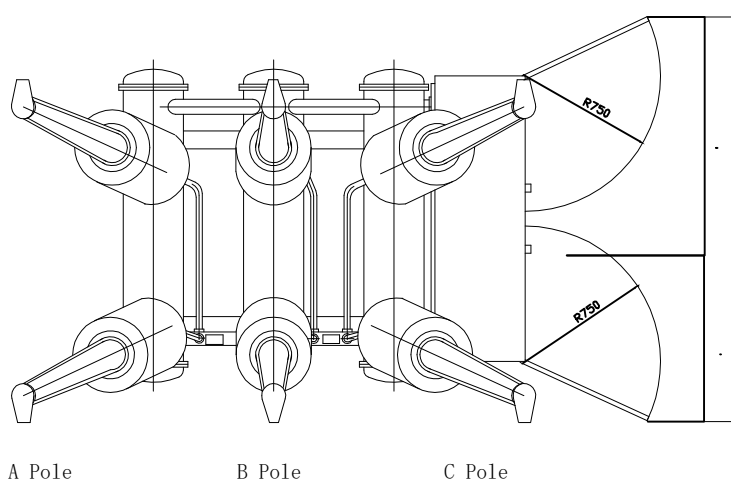
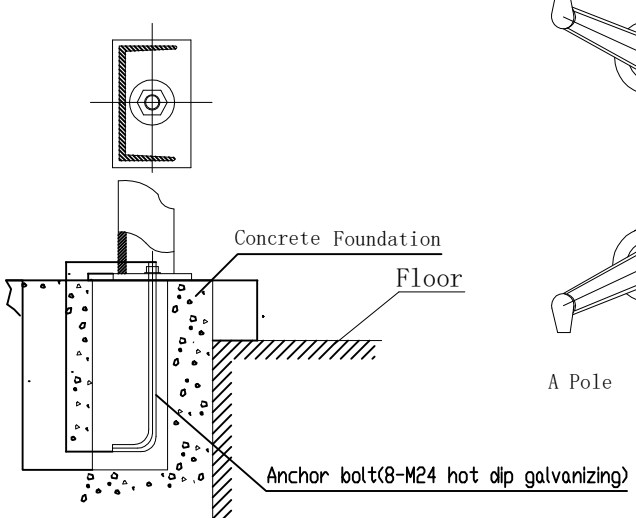
View C
1:20



D-D
1:20



B-B
1:10



LW24-145 Circuit Breaker			
	BY	DATE	APPROVED:
DESIGNED		2007.1	
DRAWED		2007.1	
CHECKED		2007.1	
SCALE	1:1		
XI'AN XD HIGH VOLTAGE APPARTUS CO.,LTD.			

